

LINTEX

ONE Mobile Double Sided

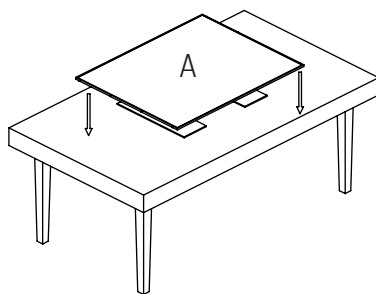
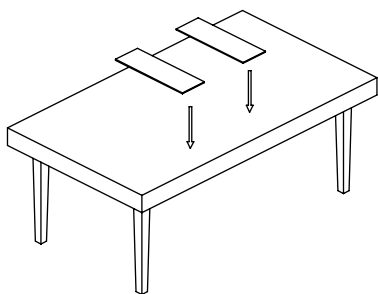
Art.no: 91043S, 91043V, 91044S, 91044V

Mounting Instructions

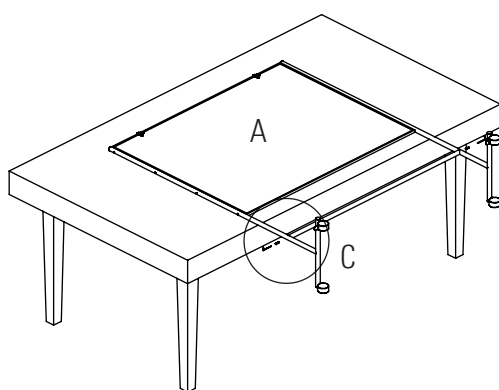
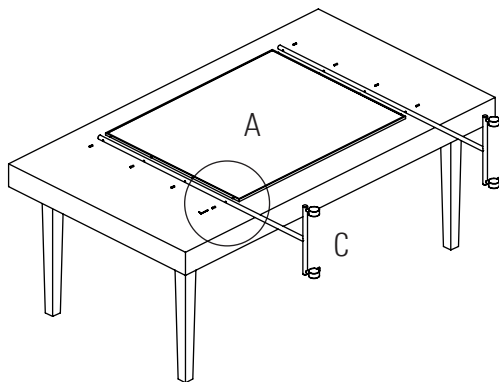
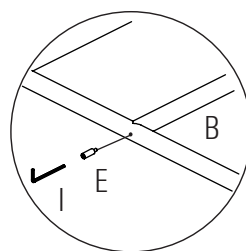
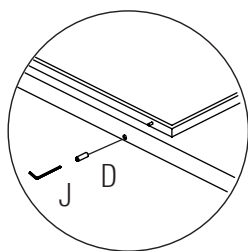
ONE Mobile Double Sided

Art.no: 91043S, 91043V, 91044S, 91044V

LINTEX



2.



3.

