

Jetson L4





Jetson L4

A huddle space for up to four people. Gather your team to talk and debate, free from the distractions of office hustle and bustle. Here, you all can make yourself at home: adjust the seat rests or decorate the shelves with books or posters. The ventilation exchanges air inside every 2 minutes to keep your minds sharp and your ideas fresh.

Jetson is a family of universal acoustic pods designed to make everyone's work joyful and fruitful. It's truly people-focused: comfortable and customizable through add-on sets to meet your need and vision. Made of extruded aluminum, which makes it the lightest and most environmentally-friendly pod on the market. With its durable construction, no-hassle assemble, effective sound attenuation, and attractive price, Jetson will introduce the benefits of acoustic pods to all.

FUNCTION

Meeting, collaboration or focused work

ACOUSTICS

Insulation

USAGE

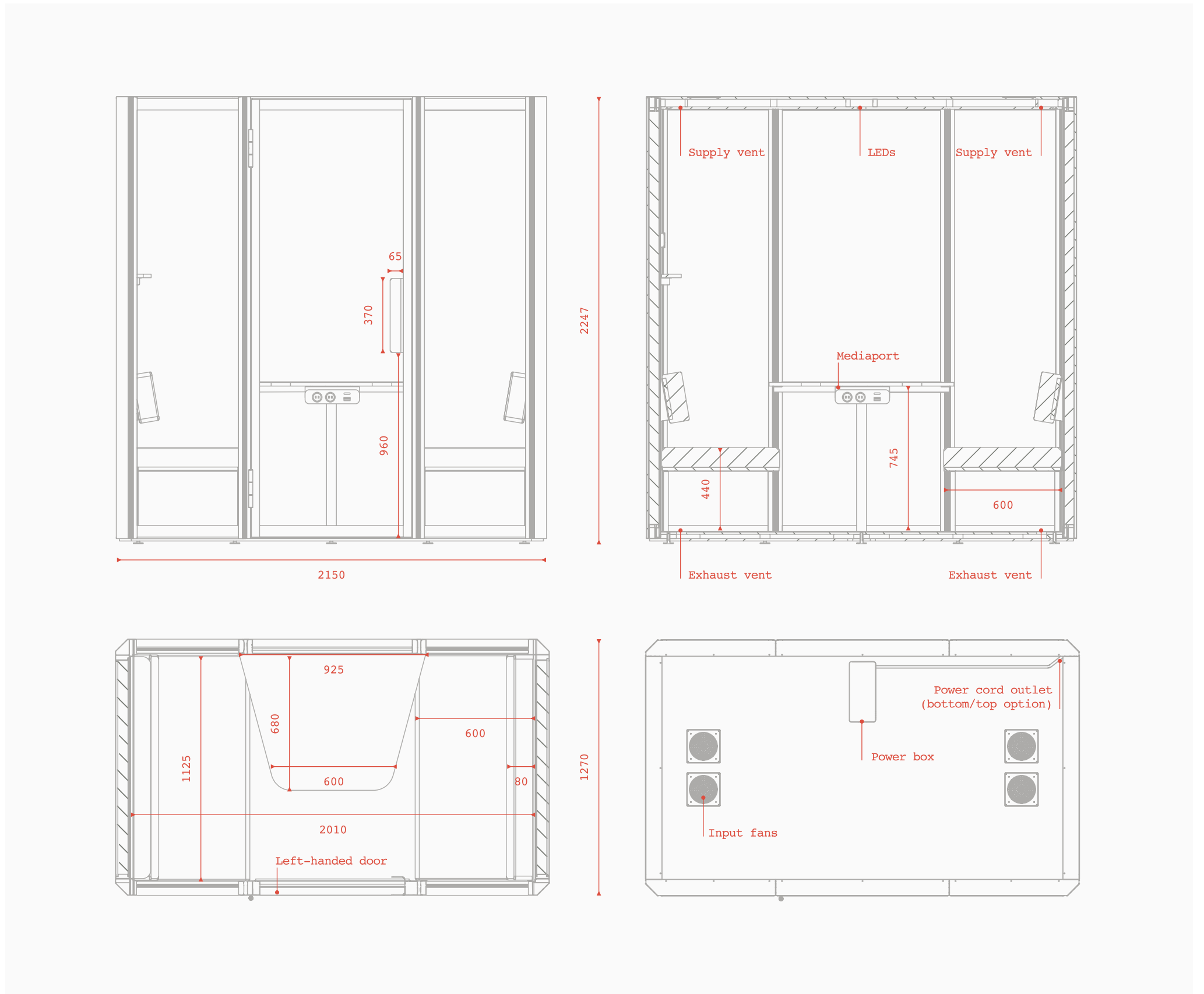
Open space

Reception

Breakout area

Other public spaces

Dimensions, weight & features



DIMENSIONS [MM]	EXTERIOR / INTERIOR	WEIGHT [KG]	
Width	2150 / 2010	Net / Gross	460 / 515
Depth	1270 / 1125 + 800 with an open door	Seating / max load (1 pc)	11 / 180
Height	2247 / 2105	Tabletop / max load	11 / 40
Tabletop [w x d x h]	925 x 680 x 745	Deep shelf / max load	5,3 / 6
		Shallow shelf / max load	2,6 / 3
		Display rail	1,8

STANDARD EQUIPMENT SET

- | | |
|--|--|
| Ventilation system | Profiled tabletop |
| LED Light | 2x sofa with height-adjustable backrest |
| Occupancy sensor for fans and light | Shallow shelf with display rail and magnet, 2x wall hook |
| Mediaport with 2 power and 2 USB sockets | Power cord 3 m |

Technical data

ACOUSTIC RESULTS AND VENTILATION

Speech attenuation level	26 dB, class B per ISO 23351
RT20 inside	<0,2 s per ISO 354:2005
Airflow	160 m ³ /h
Fan emitted noise outside / inside	≤39 dB / ≤38 dB

POWER CONSUMPTION

Standby	4,5 W
Working (fans, LEDs)	22 W
Max power supply	40 W (no receivers)
Power supply voltage	220-240/ 100-120 VAC, 50-60 Hz
Supply voltage for ventilation, lighting and addons	24 V DC

COMPOSITION

Aluminium structure and steel elements
 Plywood and melamine faced chipboard
 Isolating and absorbing materials
 Soundproof glass
 Felt

LIGHTING PERFORMANCE

Power	14 W
Brightness	300 lux
Light color temperature	4 000 K

INTERNAL MEDIAPORT

Supply voltage	220-240 / 100-120 VAC, 50-60 Hz
Power sockets	2
USB fast charger	TUF A+C 25 W, 5 V DC
Available socket types	FR / DE / UK / US / CH / AU / DK* / IT*
Mounting system	Included
Color	Black

*The appearance of the mediaport may differ from that shown in the renderings. Parameters and features remain unchanged.

Additional information

CARE

Keep product dry
 Vacuum and clean regularly
 Follow the assembly instructions & terms of use
 Follow product's Cleaning and care guide

LOCATION ASSURANCE

Ensure at least 20 cm space between the pod and the ceiling
 Two pods can be placed together without a need of free space between sidewalls

GUARANTEE

5 years guarantee for the product
 2 years guarantee for finishing materials, door elements and electrical components

ENVIRONMENTAL IMPACT

Environmental management system ISO 14001
 European Economic Area and RoHS Compliant
 Made of aluminum, lightweight, durable and fully recyclable
 Recyclable packaging

PRODUCTION

Certified Production Process ISO 9001
 Product manufactured in Poland
 Assessed and deemed to meet EU safety st.

DELIVERY & ASSEMBLY

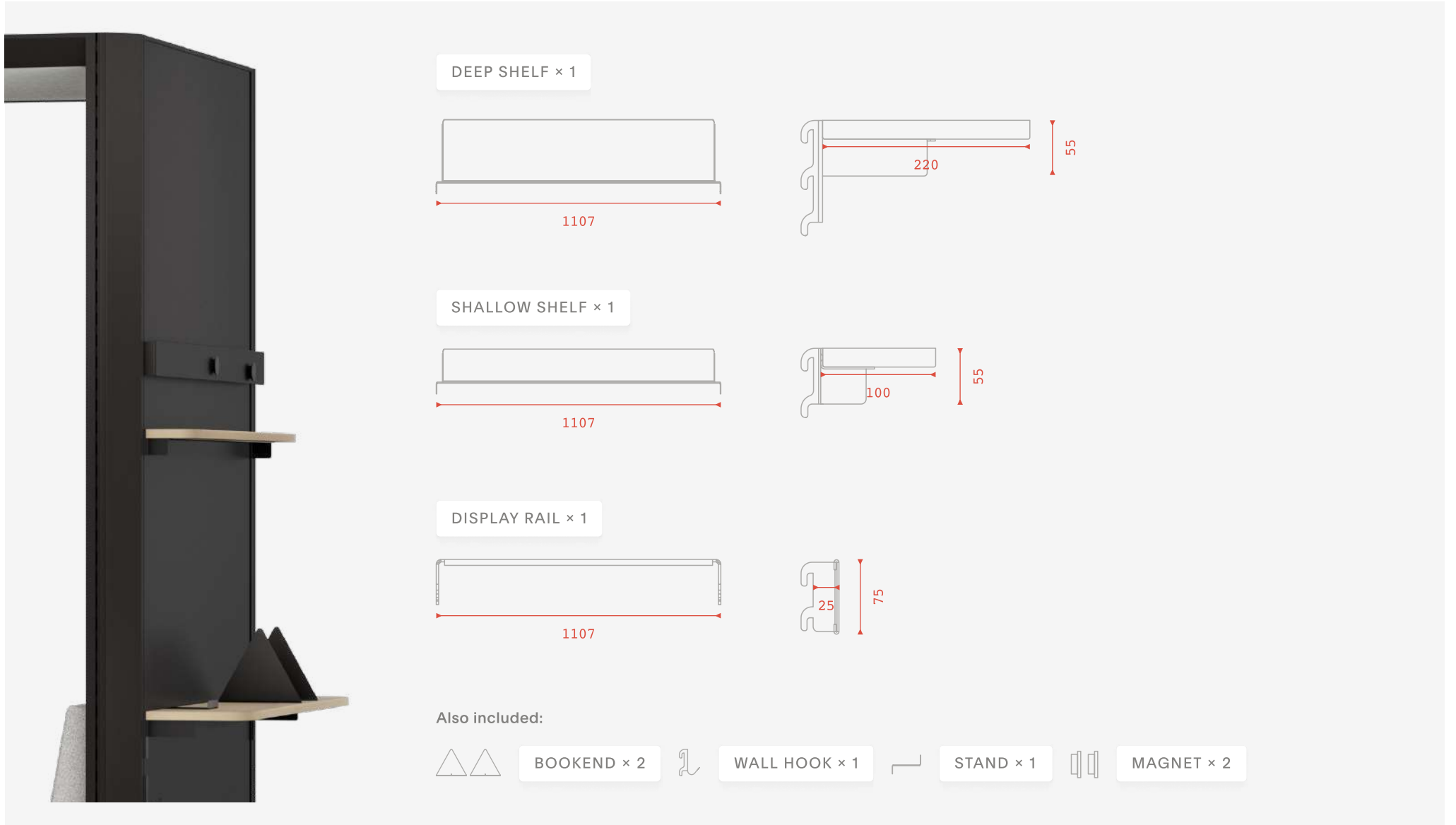
Flat cardboards delivered on a pallet
 Package dimensions (l × w × h)
 2250 × 1270 × 1290 mm
 No-tools wall connecting system




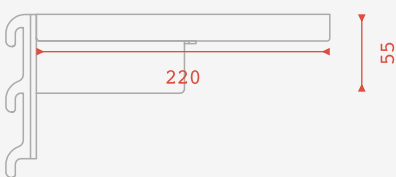
Add-on sets

Library set


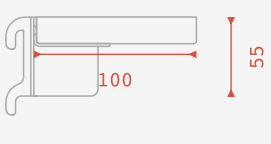
Weight / weight with packaging 11 / 12,8 kg




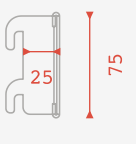
DEEP SHELF × 1





SHALLOW SHELF × 1

DISPLAY RAIL × 1





Also included:

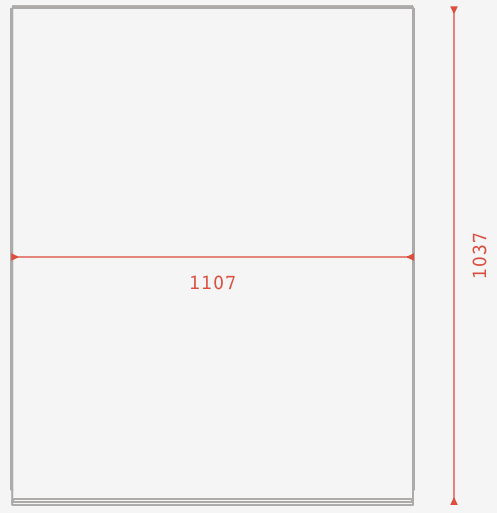
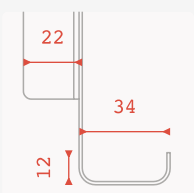
 **BOOKEND × 2**
 **WALL HOOK × 1**
 **STAND × 1**
 **MAGNET × 2**

Note set





Weight / weight with packaging 12,5 / 15 kg



WHITEBOARD (12 KG) × 1

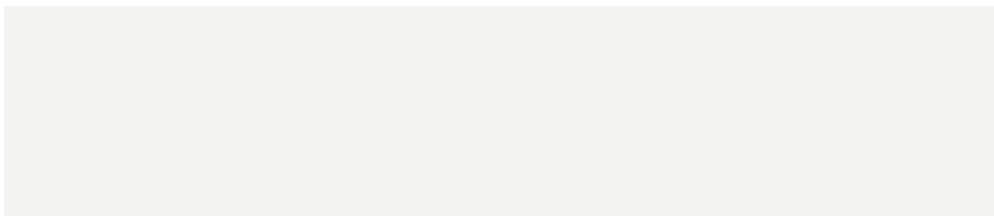
Also included:

 **WALL HOOK × 1**
 **MAGNET × 3**
 **MARKER × 1**
 **ERASER × 1**

Finishes overview



1 EXTERNAL WALLS AND FRAME



Moon white, NCS S 1000-N



Void black, NCS S8500-N

2 INTERNAL WALLS AND CEILING



Light gray felt

3 TABLETOP AND SHELVES



Oak wood melamine, H1334 ST9

4 SEATING UPHOLSTERY



Gabriel Chili, 60115

5 BOOKENDS AND MAGNETS



Matching walls color

6 FLOOR



Dark grey carpet



The smart choice.

hello@mute.design

MUTE.